

Series LG Laboratory Faucet

With Water Quality Indicator Light (Duraline Control Valve)

Doc Version: 1.0 | January 2025



Product Overview

The Series LG Laboratory Faucets with Water Quality Indicator Light combine precision fluid control with real-time purity monitoring capabilities. These reliable faucets feature an integrated sensing system with a fixed resistivity threshold (available in 10k, 20k, 50k, 200k, 500k, or 1 MEG ohm-cm), with an LED display indicating when resistivity levels are above (green) or below (red) the selected threshold.

Engineered specifically for use with Distilled, Deionized, Reverse Osmosis, and Ultra-Filtered Water (Type I, II, III), these faucets are built entirely without elastomers, metals, or lubricants to minimize potential sources of contamination. The combination of non-metallic construction, corrosion-resistant materials (PVC, Natural Polypropylene, PVDF), and precise purity monitoring makes these faucets ideal for laboratory water applications requiring consistent quality verification.

Key Features

✓ Contamination-Free Construction

Built entirely without elastomers, metals, or lubricants to help minimize potential contamination of purified water. This metal-free, corrosion-free design helps maintain water purity during active flow.

PVDF: Highest purity material for Type I DI/Ultra-Pure water applications. All options include PTFE seals and offer chemical resistance for laboratory environments

✓ Material Options for Laboratory Water Applications

PVC: Standard material for Type II and III DI water applications
Natural Polypropylene: Improved purity for Type II DI water applications

✓ Water Quality Monitoring

Integrated resistivity sensing system with LED indicator (green above/red below selected threshold). Available with fixed thresholds of 10k, 20k, 50k, 200k, 500k, or 1 MEG ohm-cm



Series LG Laboratory Faucet

With Water Quality Indicator Light (Duraline Control Valve)

Doc Version: 1.0 | January 2025



Key Features (Continued)

- ✓ **Electrical Safety**
Low-voltage operation using 9VDC power through wall transformer conversion from 120 VAC
- ✓ **Variable Flow Control**
Cv value of 0.310 at full open, with precise metering capability through 120-degree handle rotation to hard stop shut-off. Maximum flow 2.5 GPM @ 80 PSI
- ✓ **Duraline Control Valve**
Zero dead leg design in the valve helps reduce potential areas for water stagnation and microbial growth during operation
- ✓ **Serviceable Design**
Meets SEFA 7 Laboratory Service Fixtures requirements - internal valve cartridge can be easily replaced without removing faucet from mounting surface, reducing maintenance time and extending service life

Performance Parameters

Flow Data	
Flow Coefficient (Cv)	0.310 at full open
Maximum Flow Rate	2.5 GPM @ 80 PSI
Maximum Operating Pressure	150 PSI
Control Range	120-degree rotation with hard stop shut-off
Resistivity Monitoring	
Available Thresholds	10,000 ohm•cm 20,000 ohm•cm 50,000 ohm•cm 200,000 ohm•cm 500,000 ohm•cm 1 MEG ohm•cm
Physical Specifications	
Power Supply	120 VAC to 9VDC wall transformer
Cord Length	9 feet
Inlet Connection	3/8" Female NPT
Outlet	1/4" Female NPT with removable serrated barb tip. Accepts 1/4" - 1/2" I.D. tubing
Included Fitting	3/8" O.D. tube x 3/8" MNPT compression tube fitting



Series LG Laboratory Faucet

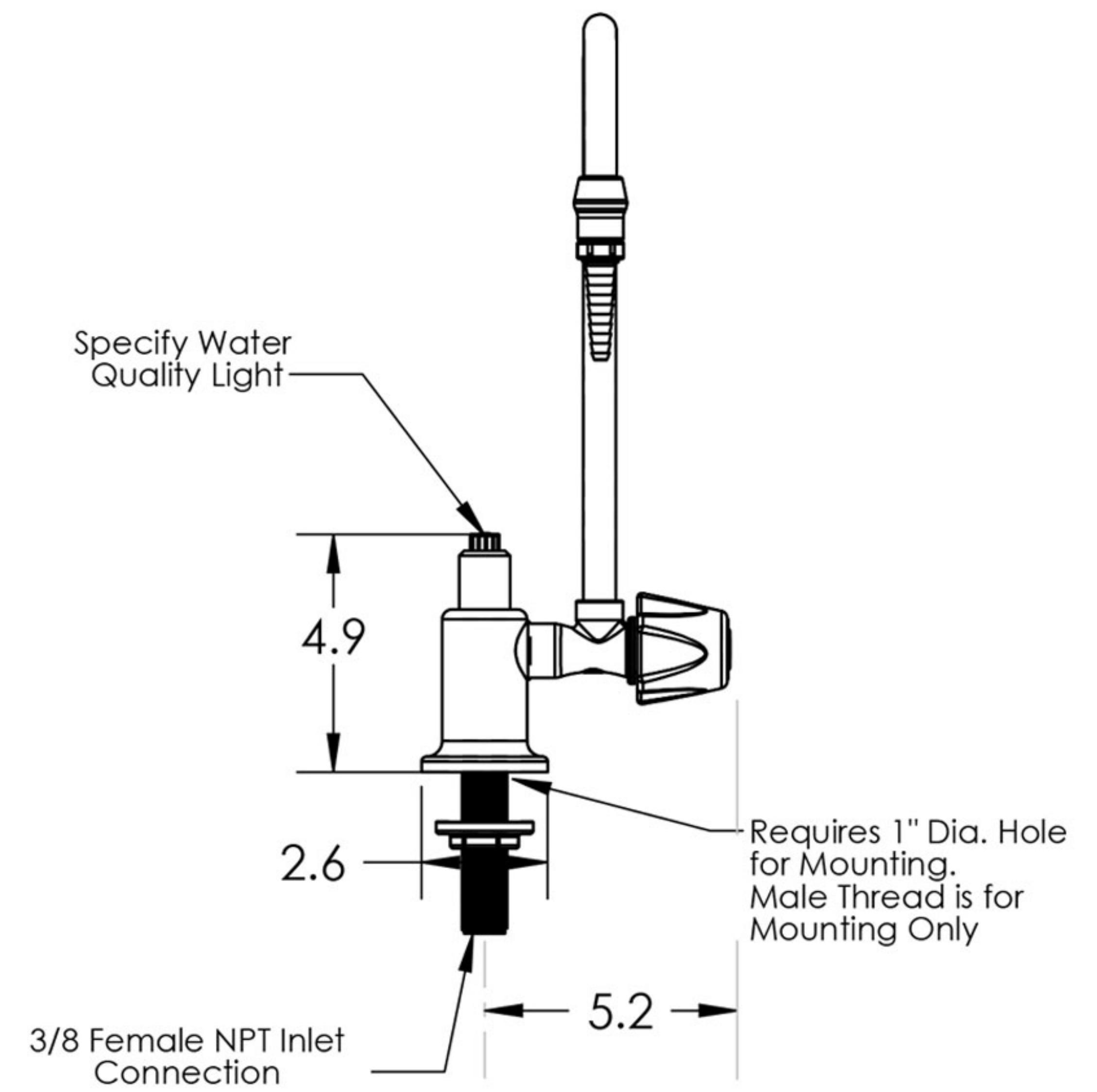
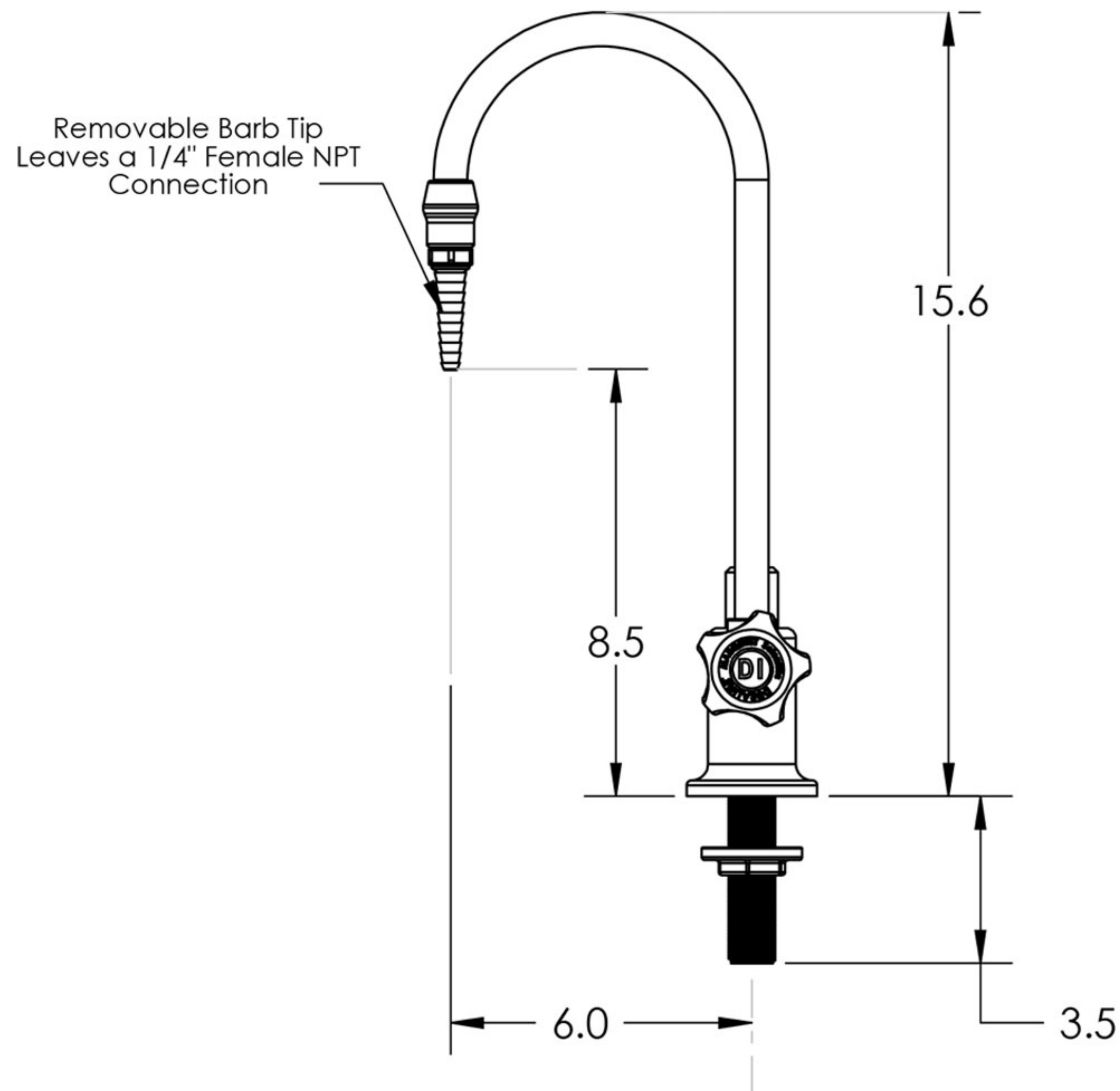
With Water Quality Indicator Light (Duraline Control Valve)

Doc Version: 1.0 | January 2025

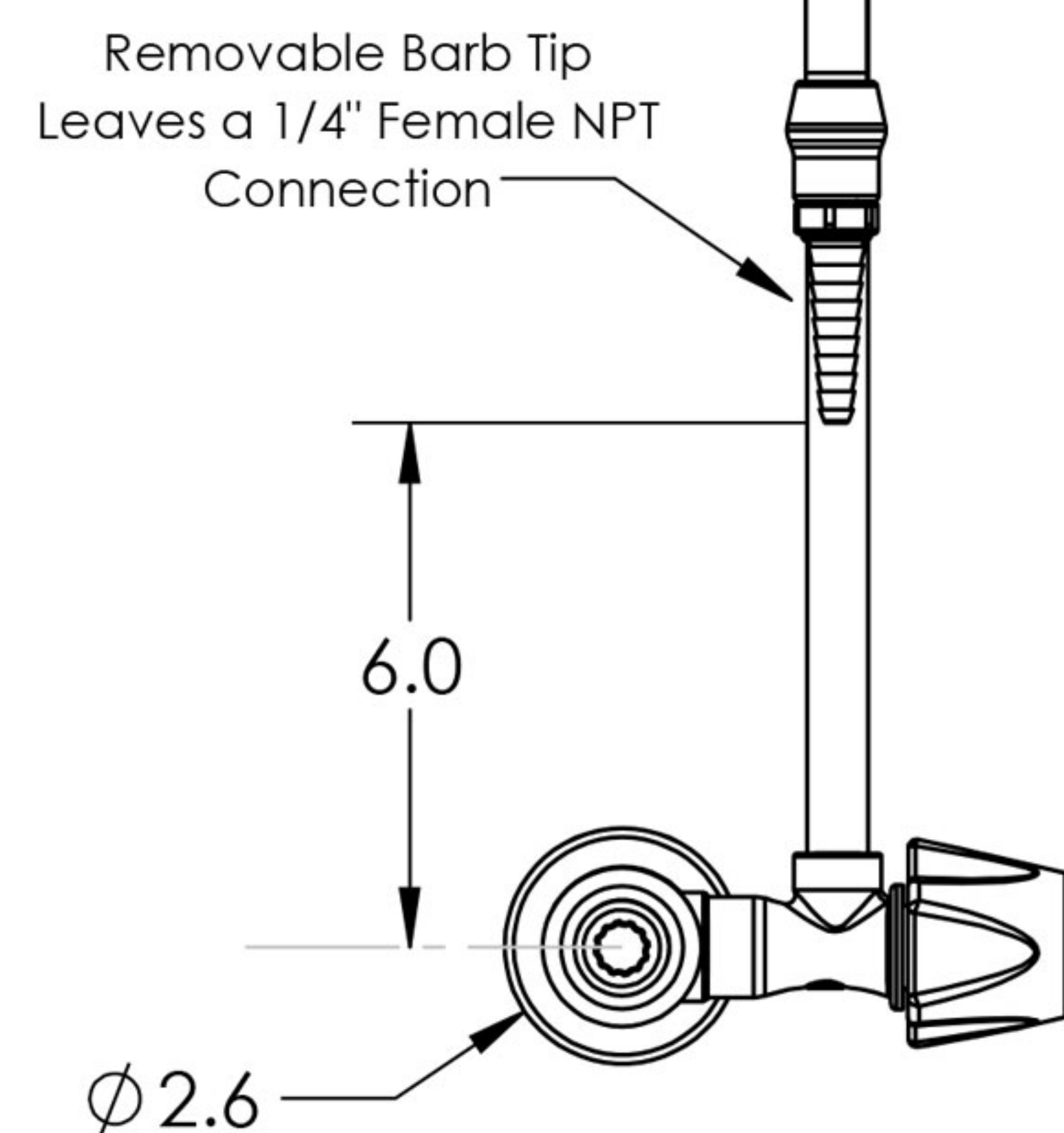
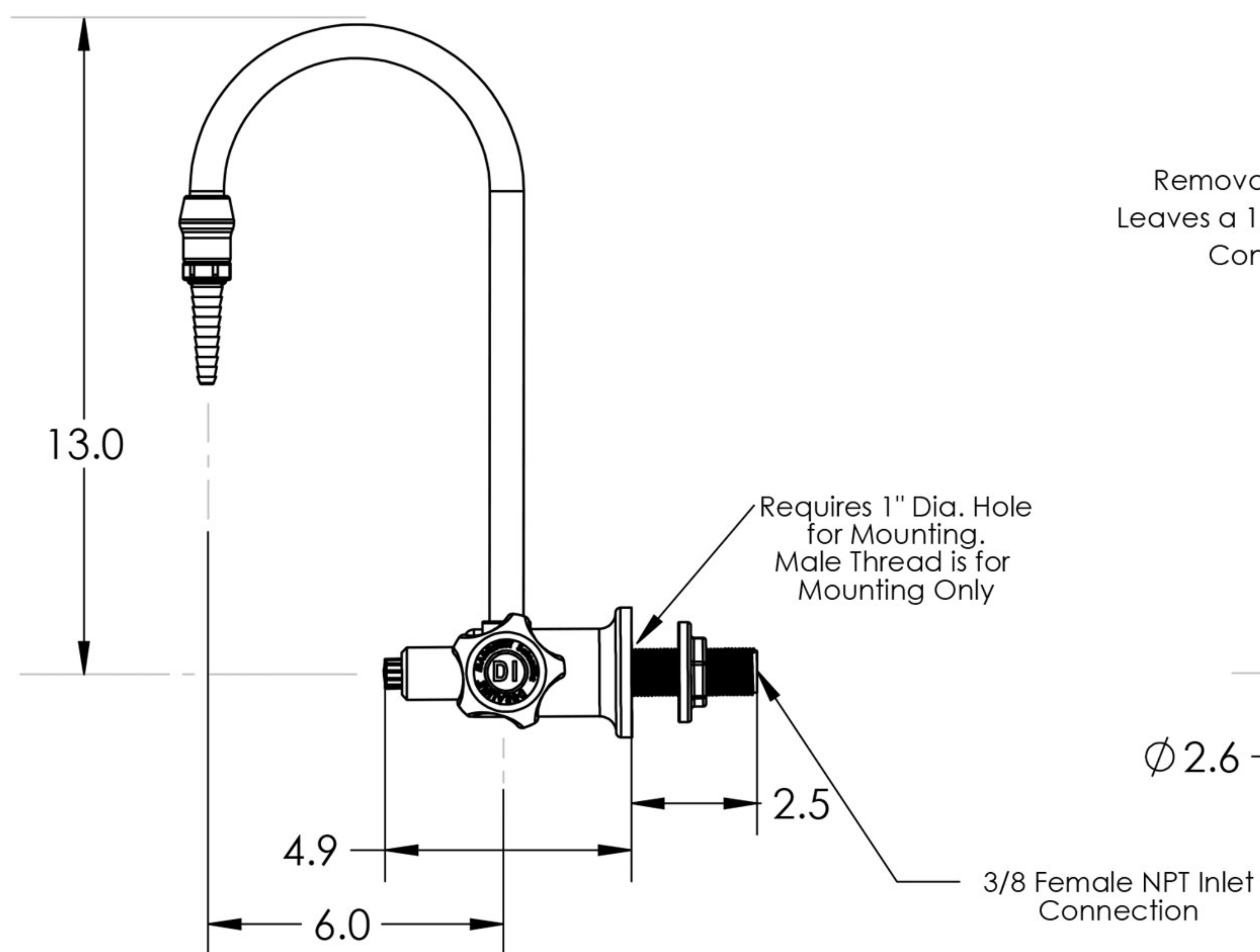


Dimensional Data - inches

Deck Mount Version



Wall Mount Version



Series LG Laboratory Faucet

With Water Quality Indicator Light (Duraline Control Valve)

Doc Version: 1.0 | January 2025



How to Order

Part Number Structure

LG – **XD** – **XXX** – **XX**
Series Mount Type +
Duraline Valve Resistivity
(10K-500K, 1MO) Handle/Material

1. Select Mount Type with Duraline Control Valve

Code	Description
DD	Deck Mount with Duraline Valve
WD	Wall Mount with Duraline Valve

Note: These configurations represent Duraline Control Valve versions. Other Series LG models are available with different control valve options.

2. Select Resistivity

Code	Threshold
10K	10,000 ohm·cm
20K	20,000 ohm·cm
50K	50,000 ohm·cm
200K	200,000 ohm·cm
500K	500,000 ohm·cm
1MO	1 MEG ohm·cm

3. Select Handle & Material

Code	Handle	Material
R1	Right	PVC/PTFE
L1	Left	PVC/PTFE
R2	Right	Polypro/PTFE
L2	Left	Polypro/PTFE
R3	Right	PVDF/PTFE
L3	Left	PVDF/PTFE

All models include:

- 3/8" Female NPT inlet connection
- PTFE seals
- Integrated water quality indicator light
- 9-foot power cord
- Wall transformer (120 VAC to 9VDC)
- Compression tube adapter fitting

Example:

LG-DD200K-R1 = Laboratory "Gooseneck" Faucet, Deck Mount, 200,000 ohm·cm threshold, 3/8" Fem NPT Inlet, Removable Serrated Barb Tip, Right Handle, PVC/PTFE construction

