

Deionized Water Lab Faucets

Series LG w/ Water Quality Light

Laboratory Faucets

Materials: PVC, Natural Polypropylene, & PVDF

Fields of Application: Distilled, Deionized, RO, Ultra Filtrated Water. Type I, II, III DI Water.

The Series LG "Gooseneck" Lab Faucets w/ Water Quality Light provide POU access of Type I, II, III high purity water, while also providing a reliable and economical method of monitoring water quality via resistivity. Resistivity thresholds include 10K, 20K, 50K, 200K, 500K, & 1MEG Ohm/cm. A bright red or green visual is easy to read. The monitoring is simple; the green light indicates the water resistivity is above the threshold value; the red light warns that it is below.

Features & Benefits

- Max flow of 2.5 GPM @ 80 PSI
- Installed water quality light accurately senses purity levels from 10K ohm/cm up to 1 Meg ohm/cm
- The water quality light uses a wall transformer to convert 120 VAC to 9 VDC to ensure safer operation and longer life. 9 FT electrical cord with plug provided
- Gooseneck component is heavy wall, custom extruded for increased rigidity
- Black handle with white marker and black "DI" text per SEFA code No. 7 for DI Water Applications. "RO" text available
- "Duraline" zero dead leg control valve offers easy open/close operation, 120 deg full flow to closed
- Positive stop at off position, prevents over-tightening
- FDA, USDA, & USP standards met or exceeded

Specifications

Resistivity Light Cord Length: 9 FT

Resistivity Light Supply Voltage: 120 VAC

Max Temp: 100°F

Materials: PVC, Natural Polypropylene, & PVDF

Seal Material: Virgin PTFE

Configurations: Deck or Wall Mount

Working Pressure: Max 125 psi at 70°F

Codes & Standards: ARRA Section 1605 "Buy American" Compliant. ASME A112.18.1M

Notes

1. Deck Mount Assemblies include a 3.5" Thru-Deck Nipple and Wall Mount Assemblies a 2.5" Thru-Deck Nipple Length, Ring Nut, and Casual Water Gasket.
2. Inlet Connection on all Assemblies is 3/8" Female NPT. 3/8" O.D. Tube x 3/8" Male NPT Jaco Compression Tube Fittings Included.
3. All Assemblies Require 1" Diameter Hole for Mounting.
4. Maximum Deck and Wall Thickness is 3" and 2" respectively.

(1) Custom thru-deck nipple dimension lengths available.

**Green/Red Resistivity Visual Indicator Light Installed*



E.G. LG-DD1MO-R2

Natural Polypro, Deck Mount
3/8" Fem NPT Inlet
Duraline Control Valve
1MEG Ohm Light

E.G. LG-DD50K-R1

PVC, Deck Mount
3/8" Fem NPT Inlet
Duraline Control Valve
50K Ohm/cm Light

E.G. LG-DD1MO-CF02-R3

PVDF, Deck Mount
3/8" Fem NPT Inlet
Duraline Control Valve
1MEG Ohm Light
.02 Micron CF

(1) Please see backside of data sheet for ordering info, including configuration & material options.

Markets / Applications

- Life Sciences
- Semiconductor Manufacturing
- Mining
- Food & Beverage
- Cosmetics
- Chromatography / Spectrometry
- Hospitals
- University Research Laboratories
- Specialty Chemicals



Where Quality Meets Service & Value™



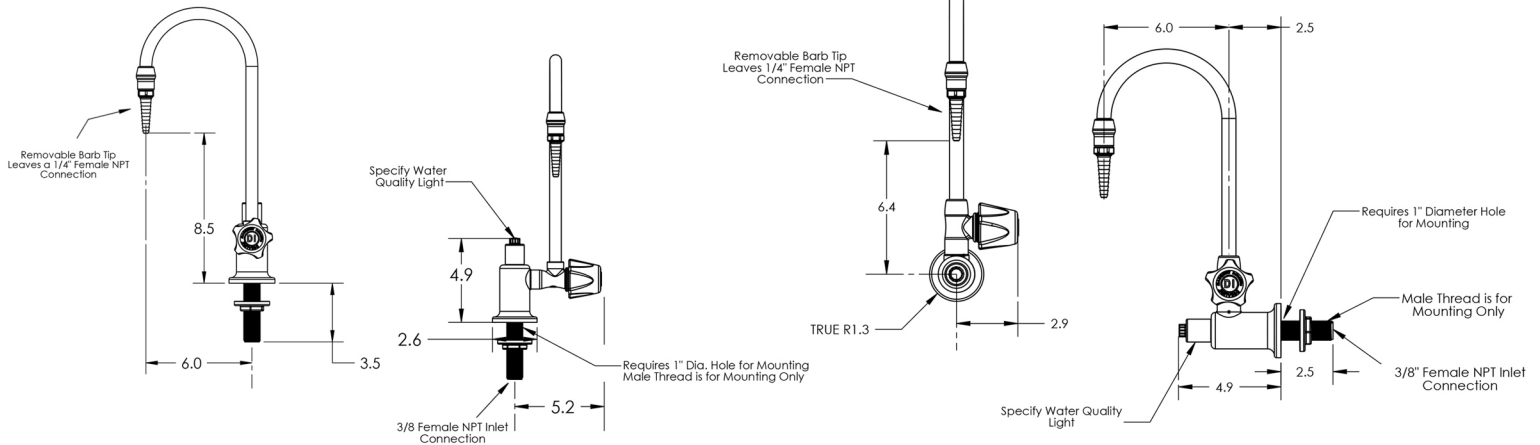
MARQUEST SCIENTIFIC
Fluid Handling Products

Laboratory Faucets

DI Water Lab Faucets Series LG w/ Water Quality Light

Dimensional Data / Parts List

*Dimensions in inches



(1) Custom dimensions available. Please contact factory.

Pressure / Temperature Data

WORKING PRESSURES PSI

WEIGHTS

Material	10°C 50°F	20°C 68°F	30°C 86°F	40°C 104°F	50°C 122°F	60°C 140°F	70°C 158°F	80°C 176°F	90°C 194°F	100°C 212°F	120°C 248°F	Net Weights Pounds*
PVC	200	250	250	220	140	135	---	---	---	---	---	1.3
PP	200	240	240	210	145	125	75	60	---	---	---	1.1
PVDF	240	250	250	250	250	230	220	200	160	140	80	1.6

Temperature Ranges: PVC: 14 to 140°F (10 to 60°C), CPVC: 50 to 194°F (10 to 90°C), PP: 46 to 176°F (8 to 80°C), PVDF: -22 to 248°F (-30 to 120°C). * Weights are for fully assembled unit, poly bagged.



Duraline Control Valve Renewable Cartridge

The Duraline control valve is completely renewable by replacing the internal cartridge, per SEFA 7-2010-8.2a

Part No. DL-RC-PVD

How to Order

Part No: **LG - D D 200K - R 1 -**

MODEL	MOUNTING	CONTROL VALVE	*RESISTIVITY	HANDLE POSITION	MATERIAL
Lab Gooseneck	D = Deck Mount W = Wall Mount	D = Duraline Metering Control Valve with Hard Stop. 120 Deg Full Flow to Closed	10K 20K 50K 200K 500K 1MO	R = Handle on Right L = Handle on Left F = Handle in Front B = Handle in Back	1 = PVC - Polyvinyl Chloride 2 = PPN - Natural Unpigmented Polypropylene 3 = 100% HP Virgin PVDF

Example: LG-DD200K-R1

PVC Lab Faucet, Deck Mount, Duraline Metering Control Valve, 200K Ohm/cm Resistivity Light Installed, Removable Serrated Barb Tip (Leaves 1/4" Fem NPT Outlet when Removed), 3/8" Fem NPT Supply Inlet Connection

Example: LG-WD1MO-L3-AER

PVDF Lab Faucet, Wall Mount, Duraline Metering Control Valve, 1 Meg Ohm/cm Resistivity Light Installed, Removable PVDF Aerator Outlet (Leaves 1/4" Fem NPT Outlet when Removed), 3/8" Fem NPT Supply Inlet Connection, Handle on Left

(1) Optional point-of-use accessories are available including an aerator, .2 micron capsule filter, and other custom accessories upon request.

(2) Standard through deck nipple "shank" length dimension is 3.5" for deck mount and 2.5" for wall mount. Optional lengths include 2", 1.5", and 1". Please contact customer service for ordering info.

(3) Choose from additional handle ID mark options including: RO, HW, CW, and more. Contact factory for ordering info.



-AER

For glass ware rinsing, a removable Marquest Aerator in PVC, Nat Polypro, & PVDF provides for a non-splashing stream by delivering a mixture of air & water versus a standard laminar stream. An additional Removable Serrated Barb comes standard when your faucet is ordered with an Aerator.

-CF02

Add a replaceable Meissner STYLUX PES .2 Micron Capsule Filter to your Marquest Faucet. Provides bacteria and particle removal at high flow rates and extremely low pressure drops. Meets ASTM F838-05 as a Sterilizing Grade Filter. Effective Filtration Area is .22 sq ft. Natural Polypropylene Housing with Polyethersulfone (PES) membrane. 1/4" MNPT Outlet on Filter. When removed leaves a 1/4" female NPT outlet at end of faucet spout.



Marquest Scientific, Inc.

2950 Airway Avenue, Costa Mesa, 92626 California
Toll Free (866) 452-2349 | Tel (714) 491-9191 | Fax (714) 491-9199
www.marquestscientific.com | www.DiWaterFaucets.com



MARQUEST SCIENTIFIC
Fluid Handling Products

Where Quality Meets Service & Value™

© 2017 Marquest Scientific, Inc. | Printed in U.S.A. | MSI.LG.QL