



## Series LG Lab Faucets w/ Union Ball Valve

**Materials:** PVC, Natural Polypropylene, High Purity PVDF

**Fields of Application:** Distilled, Deionized, RO, Ultra Filtrated Water, Chemical Dispensing.

The Series LG Lab Faucet w/ Union Ball Valve provides adjustable orientation, higher flow rates and 1/4 turn on/off POU access of Type II, III water and chemicals. There are no metals or lubricants used in their construction.



### Features & Benefits:

- FDA, USDA, & USP standards are either met or exceeded
- All injection molded, rugged design and construction
- Gooseneck component is heavy wall, custom extruded for increased rigidity
- Molded serrated outlet barb fitting connects to different tubing sizes
- Unionized Ball Valve offers adjustable handle and gooseneck orientation, a considerably higher flowrate than a needle control valve, and 1/4 turn on/off.

### Specifications:

**Inlet Connection:** 3/8" Female NPT

**Materials:** PVC

**Seal material:** Viton

**Configurations:** Deck or Wall Mount

**Working Pressure:** Max 150 psi at 70 Deg F.

**Codes & Standards:** ARRA Section 1605 "Buy American" Compliant. ASME A112.18.1M

**Flow Rate:** Max Flow of 6.5 GPM @ 80 PSI

### Markets:

- Universities
- Hospitals
- Mining
- Semiconductor
- Food & Beverage
- Life Science & Pharma
- Many more..

- Notes:**
1. All Assemblies include a 3" Thru-Deck Nipple, Ring Nut, and Casual Water Gasket.
  2. Inlet Connection on all Assemblies is 3/8" Female NPT.
  3. All Assemblies Require 1" Diameter Hole for Mounting.
  4. Maximum Deck or Wall Thickness is 3".



### Go Green, Go Non-Metallic!

Metals as well as the mining of metals are inherently polluting. Plastic piping carbon dioxide emissions are almost always lower than competitive materials such as steel.

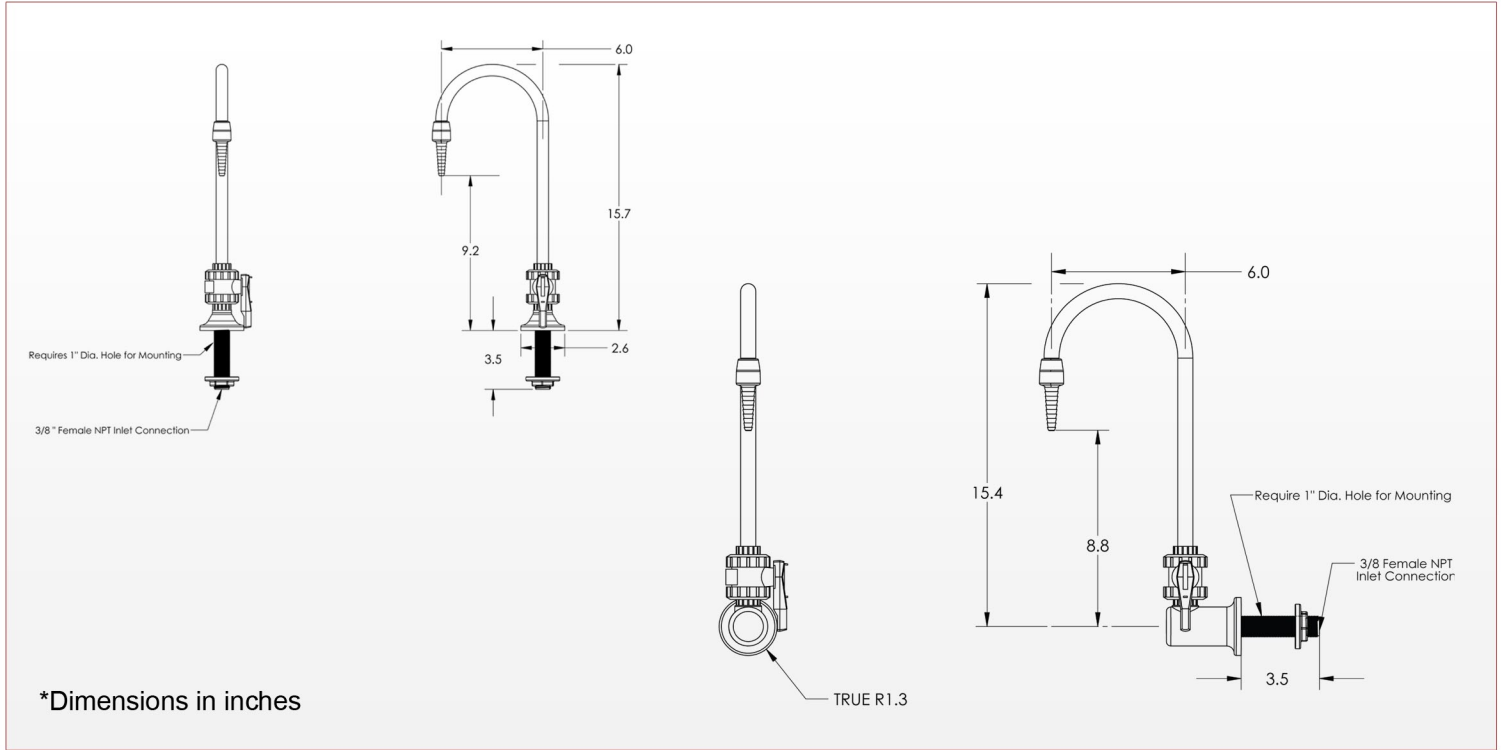




## Series LG Lab Faucets w/ Union Ball Valve

LG.XB.1108

### Dimensional Drawings



### How to Order

**LG — D B — R 1**

<p><b>D</b> = Deck Mount</p> <p><b>W</b> = Wall Mount</p>	<p><b>B</b> = Ball Valve</p>	<p><b>R</b> = Right Handed</p> <p><b>L</b> = Left Handed</p> <p><b>F</b> = Handle in Front</p> <p><b>B</b> = Handle in Back</p>	<p><b>1</b> = PVC</p> <p><b>2</b> = Natural PP</p> <p><b>3</b> = PVDF</p>
---	------------------------------	---	---

Specifications are subject to change without notice. Copyright 2011 Marquest Scientific. Printed in USA

**Distributed by:**

