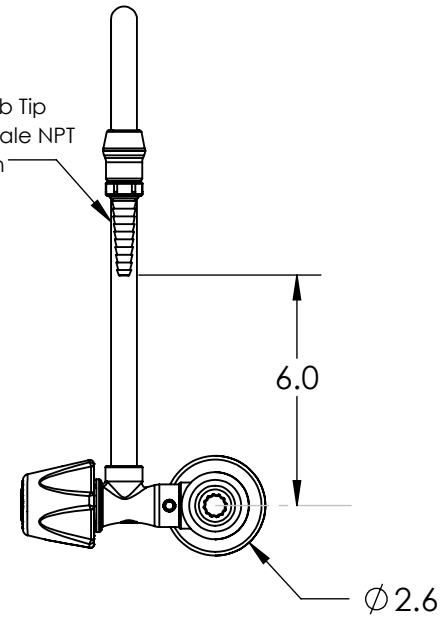



Removable Barb Tip
Leaves a 1/4" Female NPT
Connection



Part Number Example:
LG-WD1MO-L2
(1 Meg OHM WQ Light, Nat. Polypropylene)

Designer		TITLE: Lab Faucet, Wall Mount, Duraline Control Valve, Water Quality Light Handle on Left
Review		
Engineer		
 MARQUEST SCIENTIFIC Fluid Handling Products		DWG. NO. LG-DD(____)-L(____) 1 (PVC) 2 (Nat PP) 3 (Nat PVDF)
UNLESS OTHERWISE SPECIFIED DIMENSIONS ARE IN INCHES		SCALE: N/A Format: SD SHEET 1 OF 1

3184-C Airway Avenue, Costa Mesa, CA 92626