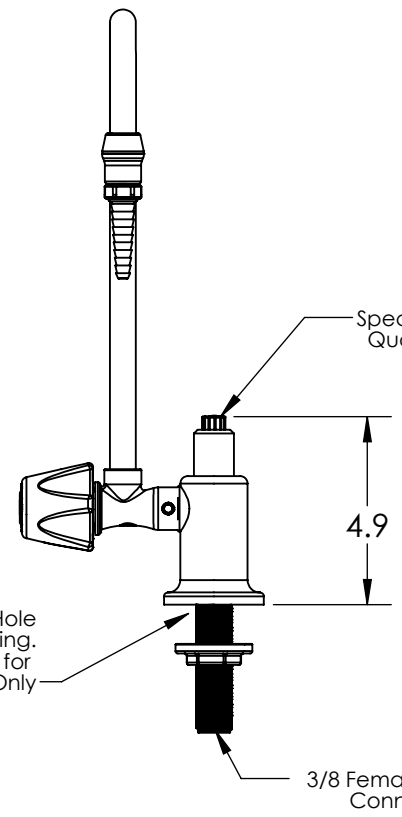


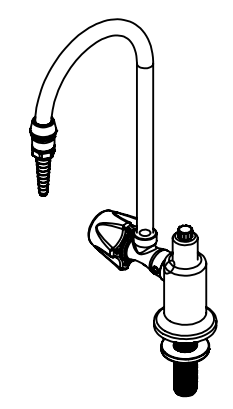
Removable Barb Tip
Leaves a 1/4" Female NPT
Connection




Requires 1" Dia. Hole
for Mounting.
Male Thread is for
Mounting Only

Specify Water
Quality Light

3/8 Female NPT Inlet
Connection



Part Number Example:
LG-DD1MO-L2
(1 Meg OHM WQ Light, PVC)

Designer				TITLE: Lab Faucet, Deck Mount, Duraline Control Valve, Water Quality Light Handle on Left		
Review						
Engineer						
 MARQUEST SCIENTIFIC Fluid Handling Products			DWG. NO. LG-DD(_ _ _)- L(_)	1 (PVC) 2 (Nat PP) 3 (Nat PVDF)	REV	
UNLESS OTHERWISE SPECIFIED DIMENSIONS ARE IN INCHES			2950 Airway Avenue, Costa Mesa, CA 92626	SCALE: N/A	Format: SD	SHEET 1 OF 1