

Installation Instructions

Series LG Lab Faucet with L Series Needle Control Valve P/N LG-DN-XX

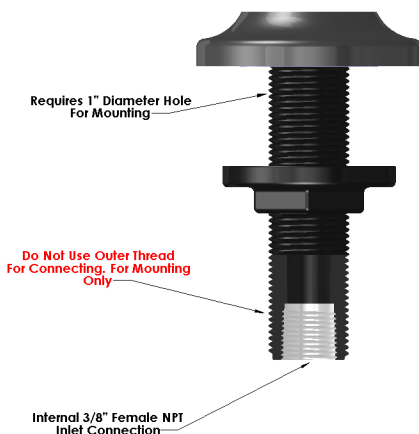
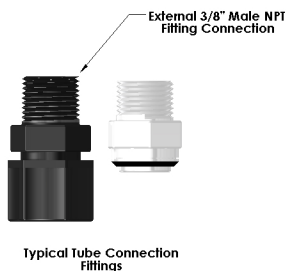
The Marquest Scientific Laboratory Faucet comes completely assembled and ready for installation. The control valve features our new L Series technology which provides a replaceable, anti-rotating virgin PTFE shutoff seal. Should any wear develop, the seal can be easily replaced without tools rendering the valve back to new condition.

The maximum thickness of the horizontal or vertical surface through which the fixture is to be mounted is 3".

NOTE: AN INTERNAL 3/8" NPT FEMALE INLET SUPPLY CONNECTION IS PROVIDED FOR PIPING YOUR SYSTEM TO THE FIXTURE. A 3/8" MALE NPT X TUBE ADAPTER FITTING IS RECOMMENDED FOR CONNECTING TO YOUR SUPPLY LINE.

INSTALLATION STEPS

1. Determine the location for the fixture to be installed, leaving sufficient room to operate the control valve handle.
2. Drill a 1 inch diameter hole through the surface.
3. Remove the Nut Ring from the Threaded Nipple on the fixture and slide the Threaded Nipple through the drilled hole making sure the O-Ring seal is properly in its groove. From the other side of the mounting surface, thread the Nut Ring onto the Threaded Nipple and tighten. Make sure the fixture is orientated to its desired position. If desired wrench tighten 1/4 turn.
4. Connect your supply line to the 3/8" NPT Female Internal Supply Inlet using PTFE sealant tape. **Do not overtighten as this will cause damage to sealing surfaces.**
5. Pressurize the fixture and open the valve momentarily allowing the air to bleed out.



Marquest Scientific, Inc.

2950 Airway Avenue, Costa Mesa, CA 92626
Tel (714) 491-9191, Toll Free (866) 452-2349, Fax (714) 491-9199
sales@marquestscientific.com, www.MQSites.com
www.DiWaterFaucets.com

Item #MS.LG.DN(7/13)
© 2013 Marquest Scientific, Inc.
Printed in USA